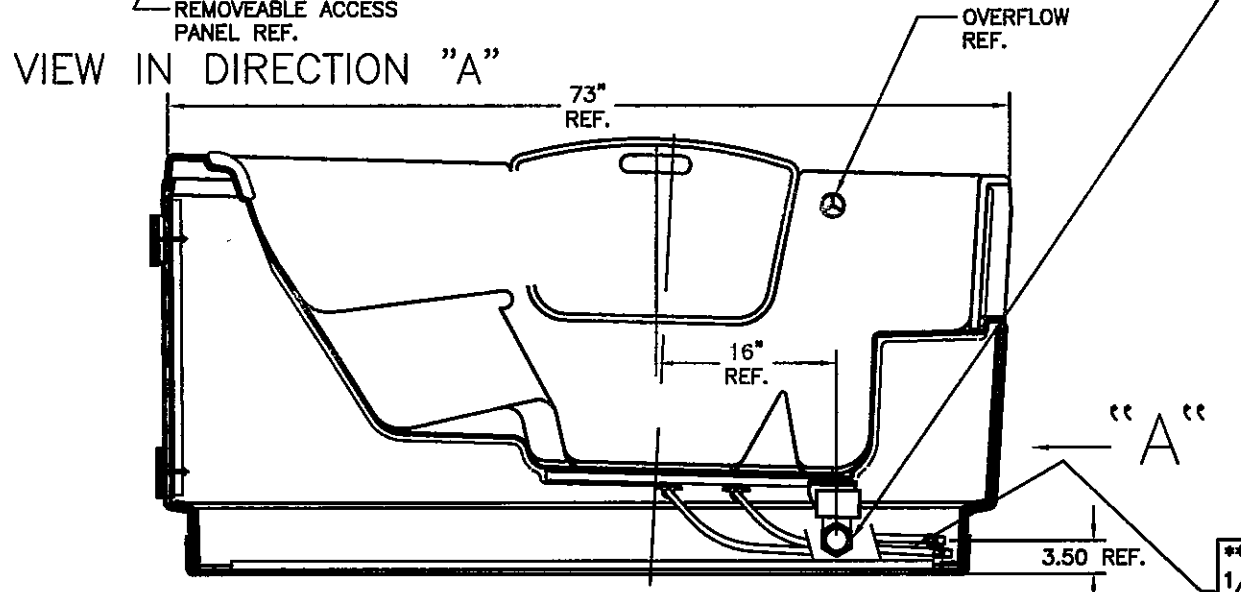
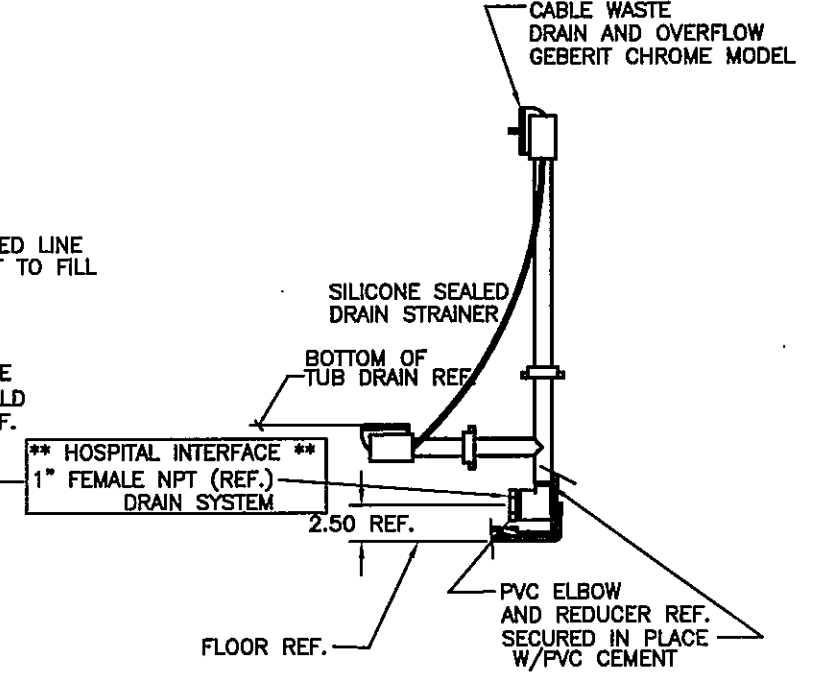
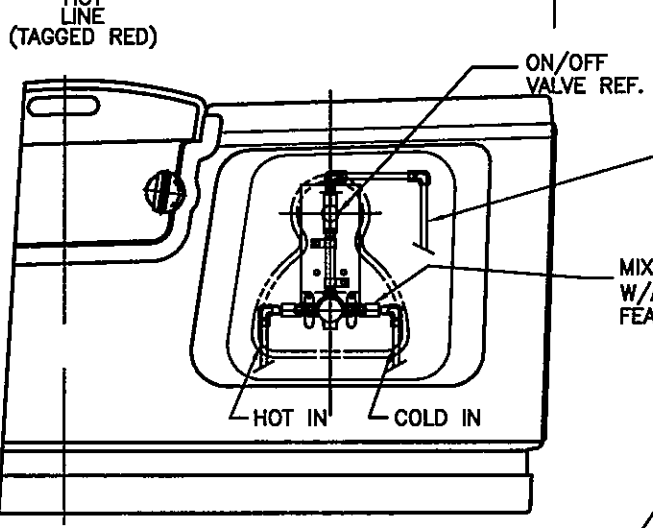
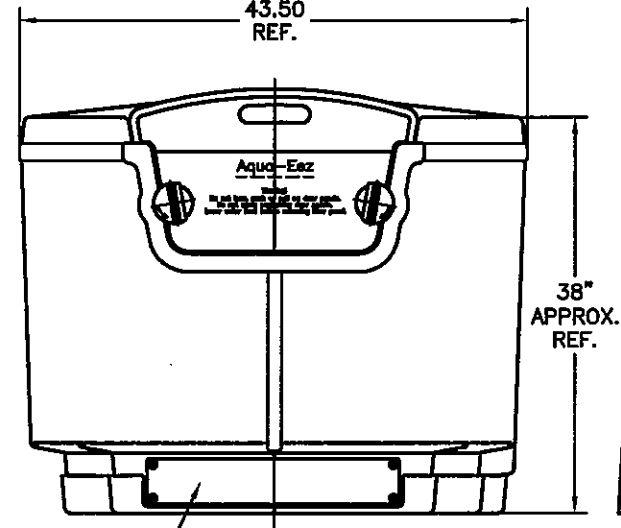
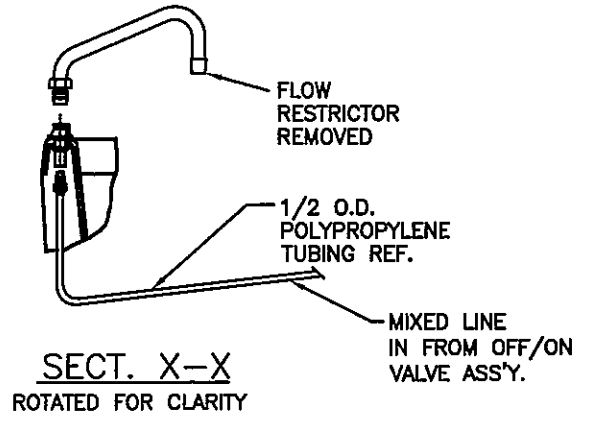
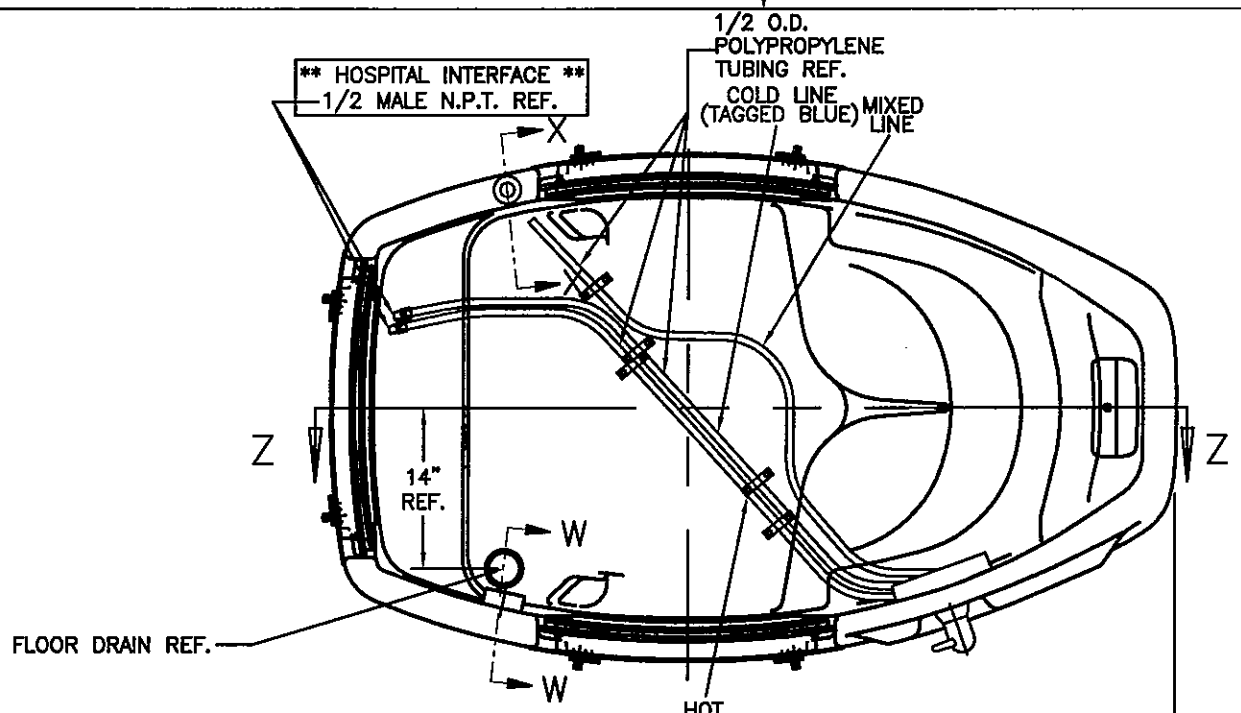


REVISIONS		NAME	APPROVED	DATE



SECTION Z-Z (ROTATED FOR CLARITY)

**\*\* HOSPITAL INTERFACE \*\***  
1/2 NPT INLET LINES REF. LABELED "HOT" & "COLD" FLEXIBLE LOCATION

**Aqua-Eez, Inc.**  
WORLDWIDE, LLC  
Deluxe Hydrotherapy Pools

TITLE: BIRTHING TUB- OVERALL & PLUMBING (STATIONARY)		PART NO:	
CUSTOMER: AQUA-EEZ		DATE: 11/10/05	
DRAWN BY: P. D'ANGELO		CHECKED BY: D. ANDREOLI	
DATE: 11/10/05		DATE: 11/10/05	
DRAWING NO: 1745		SHEET: 1/1	